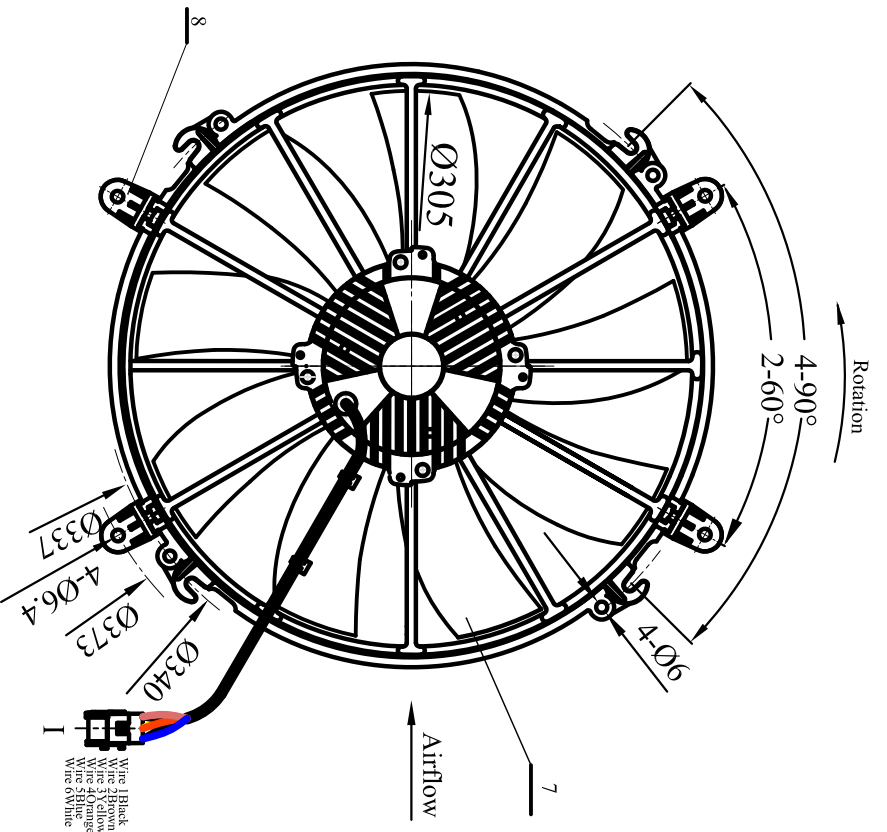


Name: Brushless Axial Motor Fan
 Model: AX24BL009C-B305-VSP-02(P/N:01.24.02)
 Supplier: Chongqing Tonada Technology Co., Ltd

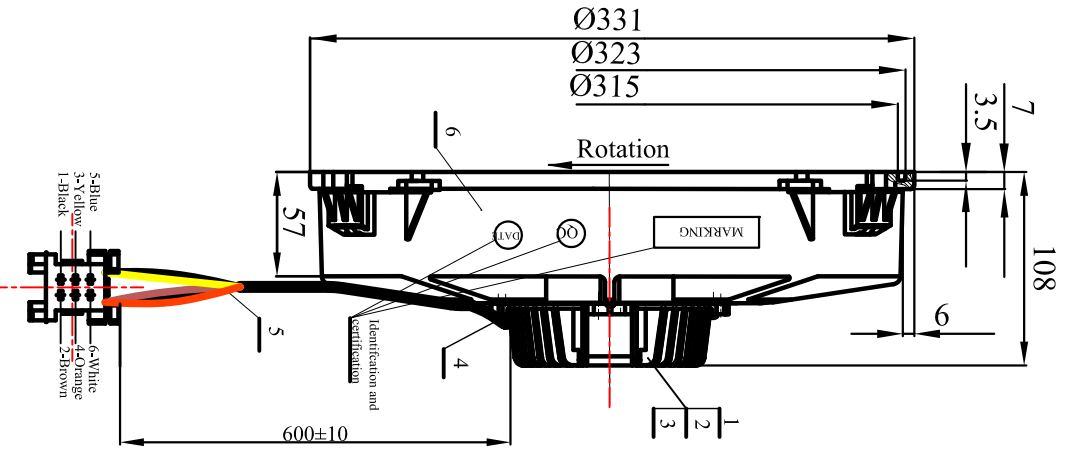
Specification:

- 1.0 Specific Application: Bus Air Conditioning System;
- 2.0 Type: Brushless DC Motor; Permanent Magnet;
- 3.0 Protection:
 - 3.1 Motor Insulation: Class H;
 - 3.2 Protection: IP68
- 4.0 Material:
 - 4.1 305 Sine Leaves hair leaves and 305 nets: PA66+GF30;
 - 4.2 Motor: ZL104; Aluminum Alloy
 - 4.3 Motor Shaft: 40Cr; Steel
 - 4.4 Motor Bearing: NSK;
 - 4.5 Degree Burn: UL94 V0;
- 5.0 Environment:
 - 5.1 Operating Temperature: -40~85°C
 - 5.2 Humidity: 0~100%;
 - 5.3 Operating Life: 25,000 Hours Minimum;
 - 5.4 Vibration: 20ms, 5G;
 - 5.5 Axial movement: 25mm Maximum;
- 6.0 Electrical Characteristics:
 - 6.1 Rated Voltage: +24 DV;
 - 6.2 Voltage Range: +17~+32V DC;
 - 6.3 Current Input: See Chart, under different static pressure;
 - 6.4 Description of the input leads:
 - 6.4.1 6 Wires input;
 - 6.4.2 Lead length: 600±10mm: A black ø8 PVC tube length: 450mm;
 - 6.4.3 Power Line Model: QVR 105°C or Wire approved automotive engineering
 - 6.4.4 15A Insurance in controller
 - 7.0 Weight Approx: 3.0 Kg

BLDC Axial Blowers Performance Parameters			
Test Voltage: 26V			
Static Pressure (Pa)	Airflow (m³/h)	Speed (RPM)	Current Input (A)
0	2831	2659	8.51
50	2571	2623	8.28
100	2250	2577	9.04
150	1687	2576	9.29
200	1199	2565	9.30
250	714	2549	9.25
300	236	2540	9.49



1)Black/Supply: +26V DC; 2)Brown/GND;
 3)Yellow/PWM/110Hz/26V DC; 4)Orange/IN/110Hz/26V DC;
 5)Blue/low No connection or +26V DC; 6)White/Drive output
 Endurance:
 1)Black 2)Brown 1442 (smpt)
 3)Yellow, 4)Orange, 5)Blue, 6)White 884 (1mm)



NO.	P/N	Name of Material	Quantity	Specification	Material	Weight(KG)	Process	Authorize	Design	Mark	Subarea	Change NO.	Sign	Date
9	140700000001	Plug	1	AMP 929305										
8	130500000001	Inlet Ring Coupler	4											
7	305000000001	Inlet Ring couple	4		PA66+GF30									
6	303000000003	305 Sine Leaves hair leaves	1		PA66+GF30									
5	130200000001	ø305 net	1	2782	PA66+GF30									
4	140800000008	Small flat self-tapping screws	4	M4×25										
3	30100000017	Condensation motor	1	1022/S004C										
2	20000000039	Condensation controller	1	AX24BLM009C-B305-VSP-02										
1	30400000003	After the cover	1											