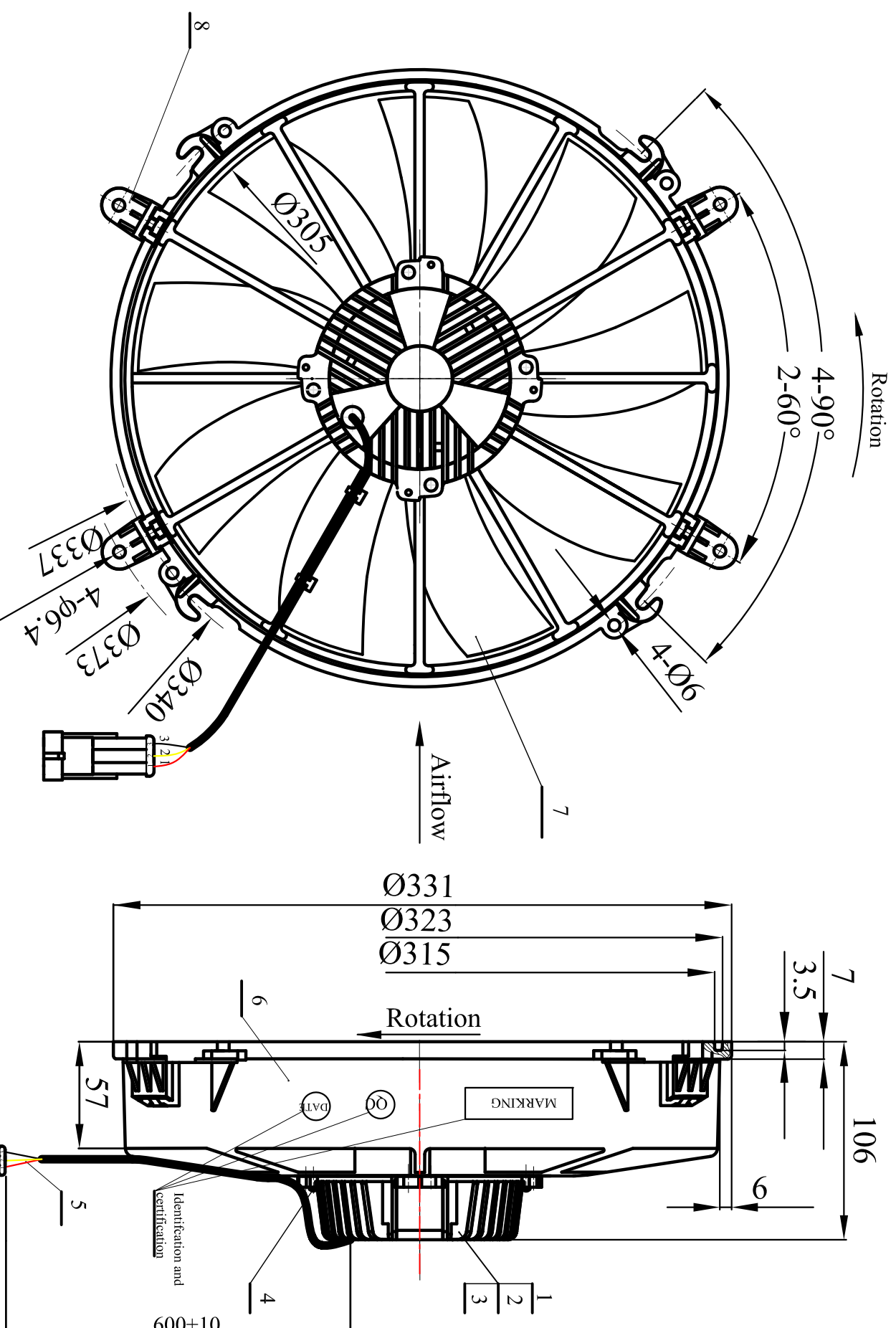


Name: Brushless Axial Motor Fan  
 Model: AX24BL009C-B305-2SP-02(P/N:01.24.03)  
 Supplier: Chongqing Tonada Technology Co., Ltd

Specification:

- 1.0 Specific Application: Bus Air Conditioning System;
- 2.0 Type: Brushless DC Motor, Permanent Magnet;
- 3.0 Protection:
  - 3.1 Motor Insulation: Class H;
  - 3.2 Protection: IP68
- 4.0 Material:
  - 4.1 305 Nine Leaves hair leaves and 305 nets: PA66+GF30;
  - 4.2 Motor: ZL104; Aluminum Alloy
  - 4.3 Motor Shaft: 40Cr; Steel
  - 4.4 Motor Bearing: NSK;
  - 4.5 Degree Burn: UL94 V0;
- 5.0 Environment:
  - 5.1 Operating Temperature: -40~85°C
  - 5.2 Humidity: 0~100%;
  - 5.3 Operating Life: 25,000 Hours Minimum;
  - 5.4 Vibration: 20ms, 5G;
  - 5.5 Axial movement: 0.25mm Maximum;
  - 6.0 Electrical Characteristics:
    - 6.1 Rated Voltage: +24 DV;
    - 6.2 Voltage Range: +17~+32V DC;
    - 6.3 Current Input: See Chart, under different static pressure;
    - 6.4 Description of the input leads:
      - 6.4.1 3 Wires input;
      - 6.4.2 Lead length: 600±10mm: A black φ8 PVC tube length: 450mm;
      - 6.4.3 Power Line Model: QVR 105°C or Wire approved automotive engineering
      - 6.4.4 15A Insurance in controller
      - 7.0 Weight Approx: 3.0 Kg

BLDC Axial Blowers Performance Parameters			
Test Voltage: 26V			
Static Pressure (Pa)	Airflow (m³/h)	Speed (RPM)	Current Input (A)
0	2831	2659	8.51
50	2571	2623	8.28
100	2250	2577	9.04
150	1687	2576	9.29
200	1199	2565	9.30
250	714	2549	9.25
300	236	2540	9.49



High Speed	1 (Red) : Supply (+26V DC) ; 3 (Black) : GND;	2 (Yellow) : NC;
Low Speed	1 (Red) : NC; 3 (Black) : GND;	2 (Yellow) : Supply (+26V DC) ;

Explanation:  
 1 (Red) , 2 (Yellow), 3 (Black) : 14#(2.5mm²)

NO.	P/N	Name of Material	Quantity	Specification	Material	Weight(KG)	Process	Authorize	Date
7	3050000001	Inlet Ring Couple	4		PA66+GF30				
6	3030000003	φ 305 Nine Leaves hair leaves	1		PA66+GF30				
5	3020000001	φ 305 nets	1	2782	PA66+GF30				
4	14080000008	Small flat self-tapping screws	4	M4×2.5					
3	13010000017	Condensation motor	1	102ZMS004C			Design	Change NO.	Sign
2	12000000039	Condensation controller	1	AX24BL009C-B305-2SP-02			Standardize		
1	30400000003	After the cover	1				Check		

AX24BL009C-B305-2SP-02  
 BLDC Axial Blowers



P/N Weight Proportion  
 01.24.03 3.0 1:1