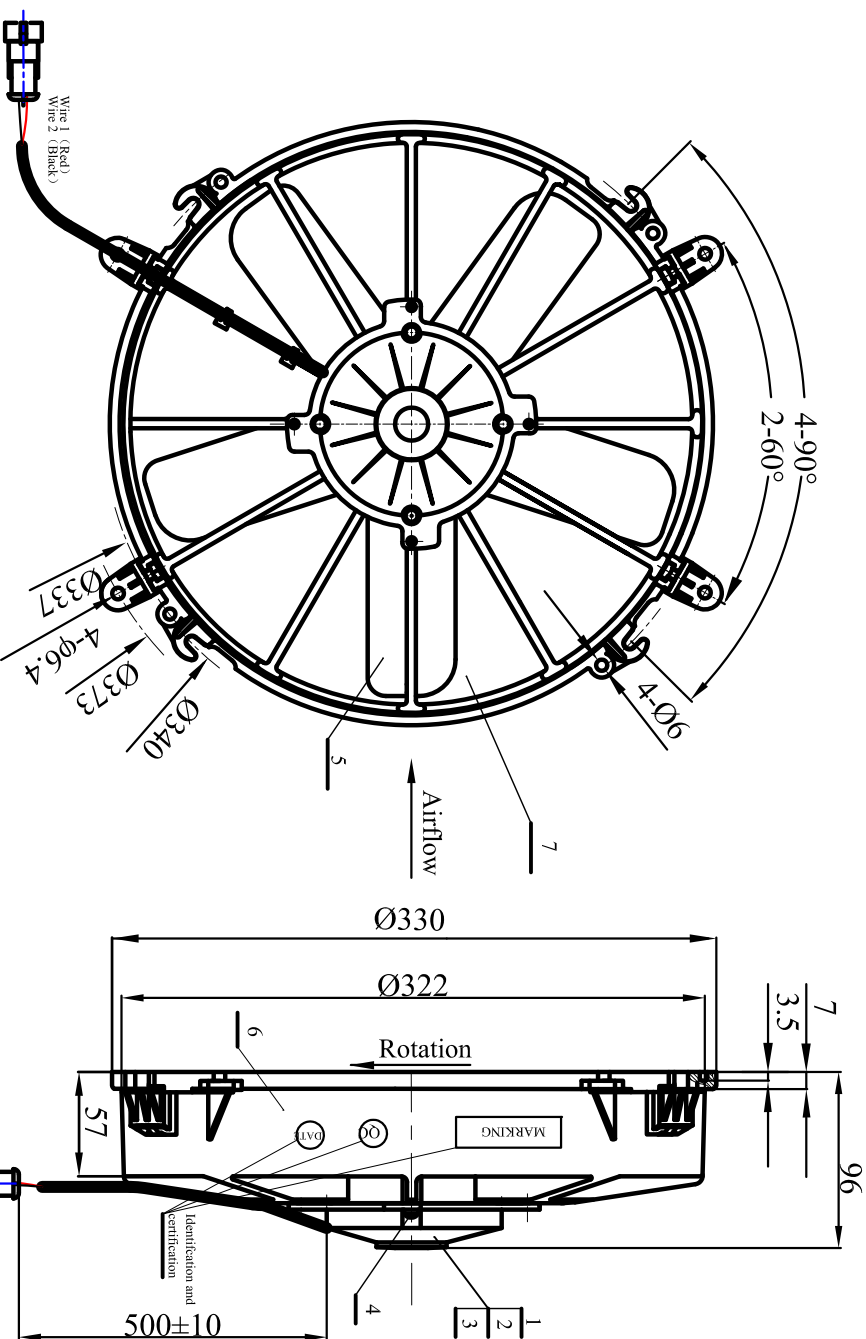


Name:Brush Axial Motor Fan
 Model:AX24B004-B305-1SP-02(P/N:01.24.14B)
 Supplier:Chongqing Tonada Technology Co.,Ltd

Specification

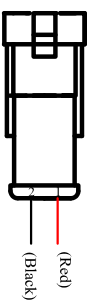
- 1.0 Specific Application:Bus Air Conditioning System
- 2.0 Type:Brush DC Motor;Permanent Magnet;
- 3.0 Protection:
 - 3.1 Motor Insulation:Class H;
 - 3.2 Protection:IP54
- 4.0 Material:
 - 4.1 305 Five Leaves hair leaves and 305 neSPA66-GF30
 - 4.2 Motor:ZL104;Aluminum Alloy
 - 4.3 Motor Shaft:40CSteel
 - 4.4 Motor Bearing:NSK
 - 4.5 Degree Burn:UL94 V0
- 5.0 Environment:
 - 5.1 Operating Temperature:-40~85°C
 - 5.2 Humidity:0~100%
 - 5.3 Operating Life:6,000 Hours Minimum;
 - 5.4 Vibration:20ms,5G;
 - 5.5 Axial movement:25mm Maximum;
- 6.0 Electrical Characteristics:
 - 6.1 Rated Voltage:±24 DV;
 - 6.2 Voltage Range:+17~+32V DC;
 - 6.3 Current Input:See Chart,under different static pressure;
 - 6.4 Description of the input leads
 - 6.4.1 2 Wires input;
 - 6.4.2 Lead length:500±10mm
 - 6.4.3 Power Line Model:QYR 105 or Wire approved automotive engineering
 - 6.4.4 Connector:AMP 282104-1.
- 7.0 Weight Approx:2.5 Kg

Brush Axial Blowers Performance parameters Test voltage:28V			
Static Pressure (Pa)	AirFlow (m ³ /h)	Speed (RPM)	Current Input (A)
0	2650	3300	8.2
50	2530	3270	8.6
100	2400	3260	9.3
150	1880	3200	9.8
200	1300	3140	10.5
250	900	3120	11.2
300	500	3100	11.4
350	130	3000	11.9



1 (Red) : Supply (+28V DC) ; 2(Black) : GND;

Explanation:
 1 (Red) 2(Black) (2.0mm)



NO.	P/N	Name of Material	Quantity	Specification	Material	Weight(KG)	Process	Authorize	Date	P/N	Weight (kg)	NO.1 Page
7	1.305000000001	Inlet Ring Sample	4		PA66+GF30					AX24B004-B305-1SP-02 Brush Axial Blowers	2.5	1-1
6	1.303000000003	305pins	1		PA66+GF30							
5	1.302000000001	308 Five Leaves hair leaves	1	2782	PA66+GF30							
4	1.408000000008	Small flat self-tapping screws	4	M4×25								
3	1.301000000017	Condensation motor	1									
2	1.200000000039	After the cover	1									
1	1.304000000003		1									
										Total 1 Page		NO.1 Page



Chongqing Tonada Technology Co.,Ltd