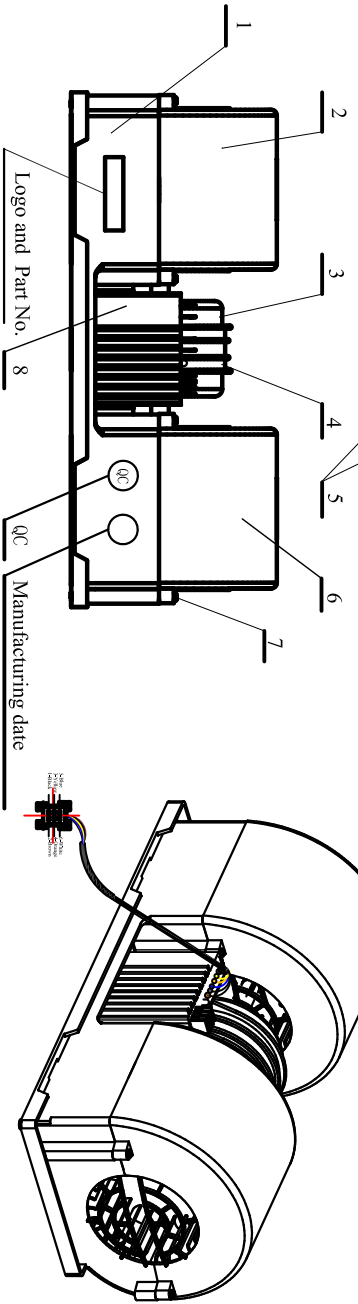
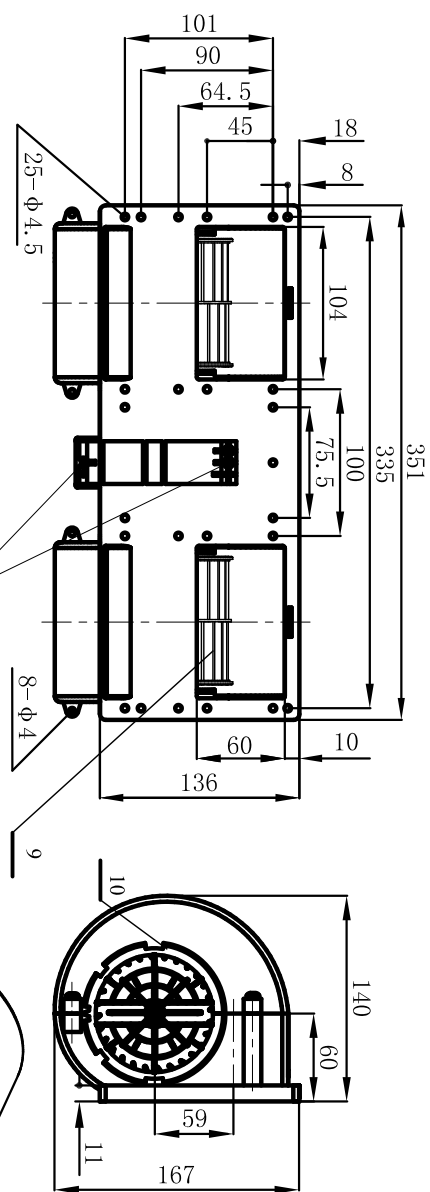


Name: Brushless Centrifugal Blowers
 Model: RA24BL001-B40-VSP-02 (P/N: 02-24-02)
 Supplier: Chongqing Tonada Technology Co., Ltd.

- Specification:
- 1.0 Specific Application: Bus Air Conditioning System.
 - 2.0 Type: Brushless DC Motor-Permanent Magnet.
 - 3.0 Protection:
 - 3.1 Motor Insulation: Class F.
 - 3.2 Protection: IP20
 - 4.0 Material:
 - 4.1 Scroll Housing: P-PA66-GF30; Impeller: PA66-GF30
 - 4.2 Motor Frame and End Cover: ZL104 Aluminum Alloy.
 - 4.3 Motor Shaft: 40Cr.
 - 4.4 Motor Bearing: NSK.
 - 4.5 Motor Fixing Ring: PA66-GF30.
 - 4.6 Flammability: UL94 V0.
 - 5.0 Environment:
 - 5.1 Operating Temperature: -40~70°C.
 - 5.2 Humidity: 0~95%.
 - 5.3 Operating Life: 25,000 Hours Minimum.
 - 5.4 Vibration: 20ms, 5G
 - 5.5 Axial movement: 0.5mm Maximum
 - 6.0 Electrical Characteristics:
 - 6.1 Rated Voltage: +24V DC.
 - 6.2 Operating Voltage: +26V DC.
 - 6.3 Voltage Range: +17~+32VDC.
 - 6.4 Current Input: See Chart, under different static pressure.
 - 6.5 Example of connection is shown in Figure A.
 - 7.0 Weight: Approx. 2.6Kg.

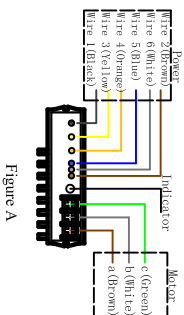
BLDC Centrifugal Blowers Performance parameters
 Test Voltage: 26V

Static Pressure (Pa)	Airflow (m³/h)	Speed (RPM)	Current (A)
0	1031	3770	8.7
50	983	3788	8.3
100	934	3835	7.8
150	879	3875	7.5
200	823	3931	7.0
250	763	3988	6.5
300	712	4034	6.2
350	635	4119	5.6
400	447	4278	4.5
450	211	4461	3.4



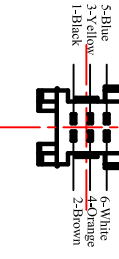
When Wire 2(GND) and Wire 1(Supply) is 24V DC, the blower motor is determined by wire 3&4.

Wire 5 (Low Speed)	Wire 4 (Inverter)	Wire 3 (High Speed)	Wire 2 (GND)	Wire 1 (Supply)
0V	0V ~ 24V	<2V	0V	Supply
Max speed	Max speed	Max speed	0V	Supply
<1V	0V ~ 24V	<1V	0V	Supply
Max speed	Max speed	Max speed	0V	Supply



Connector (A: P/N: 929505-2)

1=UB	Black
2=ND	Brown
3=V/M/L/N	Yellow
4=N/V/L/N	Orange
5=S/S/S/S/NK	Blue
6=Diagnostic output	White



No.	P/N	Description	Quantity	Model	Specification	Unit
10	13110000001	Mesh enclosure	2		PA66+GF30	
9	13050000001	Impeller	2	282	PA66+GF30	
8	12000000538	Controller	1	RA24BL001-B40-VSP-02		
7	14050000002	Tapping screw	8	M4 X 20		
6	13050000002	Housing Cover (R)	1		PA66+GF30	
5	14050000001	Tapping screw	2	M4 X 20		
4	13010000002	Motor Fixing Ring	1			
3	13100000001	BLDC motor	1	867MS004	PA66+GF30	
2	13050000001	Housing Cover (L)	1		PA66+GF30	
1	13070000001	Housing Base	1		PA66+GF30	

Mark	Subarea	Change No.	Sign	Date
Design	Part/Plant			
Check				
Process	Subo	Authoriz	hangch	

RA24BL001-B40-VSP-02
 BLDC Centrifugal Blowers

part no. Height (mm) Scale

02-24-02 2.6 1:1

Total Page No.1 Page

Chongqing Tonada Technology Co., Ltd.