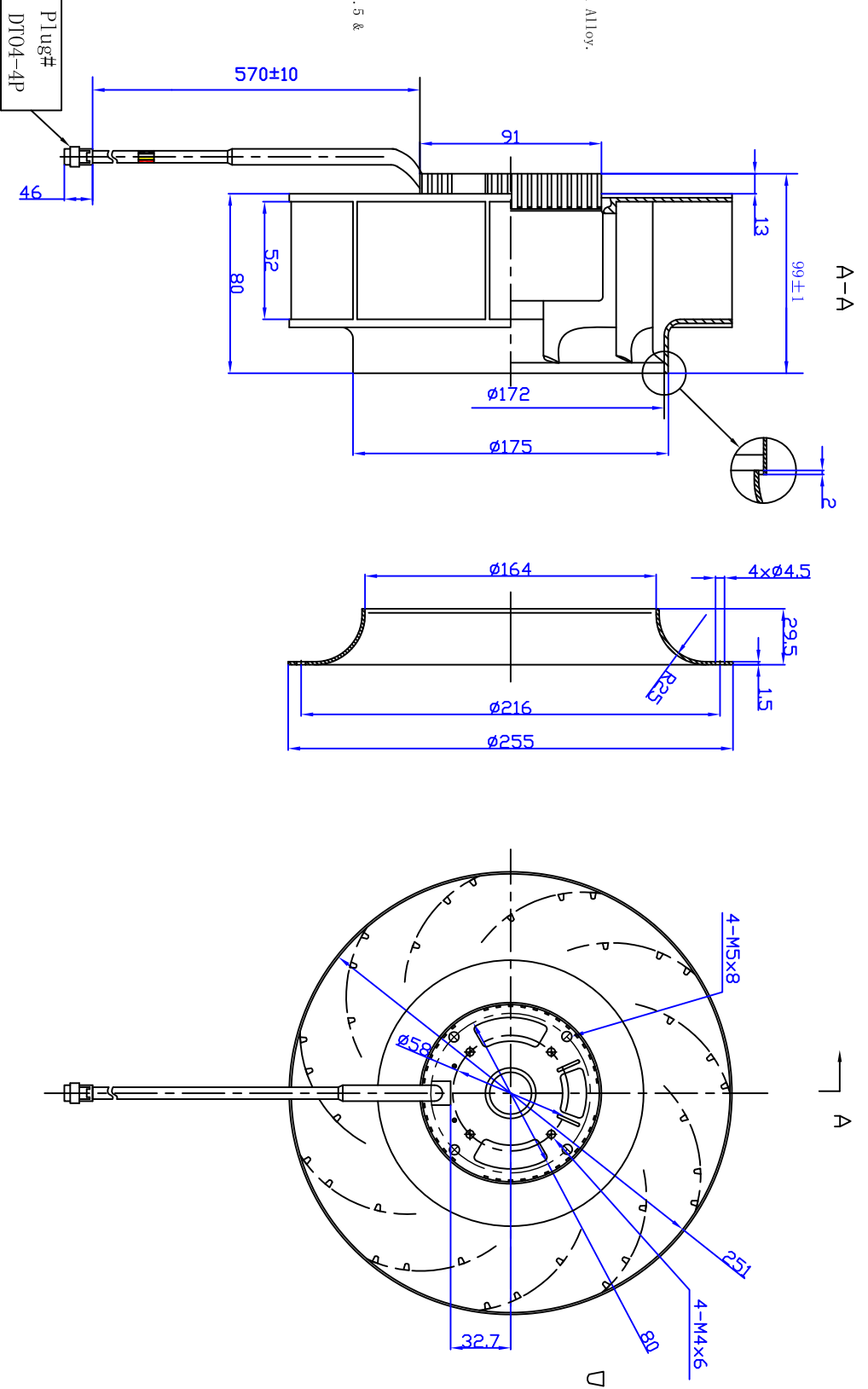


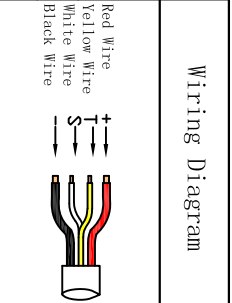
Name: Brushless Centrifugal Blowers
 Model: RA12BL004C-B250-1SP-01 (P/N: 02.12.22)
 Supplier: Chongqing Tonada Technology Co., Ltd.

- Specification:
- 1.0 Specific Application: HVAC.
 - 2.0 Type: Brushless DC Motor, Permanent Magnet.
 - 3.0 Protection:
 - 3.1 Motor Insulation: Class H.
 - 3.2 Protection: IP55
 - 4.0 Material:
 - 4.1 Scroll Housing: ABS; Impeller: PA66+GF30
 - 4.2 Motor Frame and End Cover: ZL104 Aluminum Alloy.
 - 4.3 Motor Shaft: 40Cr, Steel.
 - 4.4 Motor Bearing: NSK.
 - 4.5 Flammability: UL94 V0.
 - 5.0 Environment:
 - 5.1 Operating Temperature: -40~70°C.
 - 5.2 Humidity: 0~95%.
 - 5.3 Operating Life: 25,000 Hours Minimum.
 - 5.4 Vibration: 20ms, 5G
 - 5.5 Axial movement: 0.5mm Maximum
 - 6.0 Electrical Characteristics:
 - 6.1 Rated Voltage: +12V DC.
 - 6.2 Voltage Range: +9~+16V DC.
 - 6.3 The Fan Speed: 2400±150r/min (Test Voltage: 3.5 & Full Pwm Duty).
 - 6.4 Locked-rotor Protection: 5times.
 - 6.5 Over voltage protection: 16V; Under voltage protection: 9V.
 - 7.0 Weight: 2.7Kg.

Examination Standard			
PWM Duty (%)	Control Voltage (V)	Current (A)	Feed Speed (r/min)
0	0	0	0
11	1.1	0.4±0.1	600±50
25	3.3	1.3±0.1	1200±100
60	6.0	3.3±0.2	1700±100
75	7.5	5.0±0.3	2000±150
100	10	8.0±0.4	2400±150



Variable Speed Version			
Variable Speed Version	Yellow Wire: Control Voltage (1V-Supply)	White Wire: Signal Feedback	Stop
Red Wire: Supply	0V → +1V	+1V → +10V	Stop
Black Wire: GND	+10V → Supply	+10V → Max Speed	Max Speed



Wiring Diagram				
Red Wire	Yellow Wire	White Wire	Black Wire	
+	+	+	-	
+	+	+	-	
+	+	+	-	
+	+	+	-	

Mark	Subarea	Change No.	Sign	Date

Revision	Check	Process

RA12BL004C-B250-1SP-01	
Evaporator Fan 12V	
250mm Ver. 3.0	
Weight (kg)	Scale
2.7	1:1
Total Page	No. 1 Page

